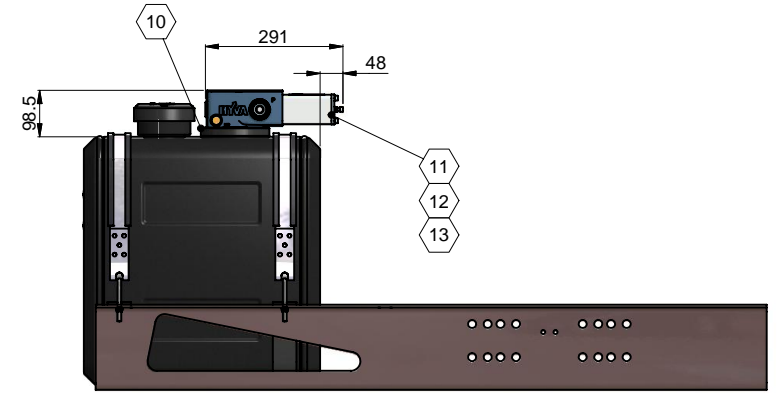
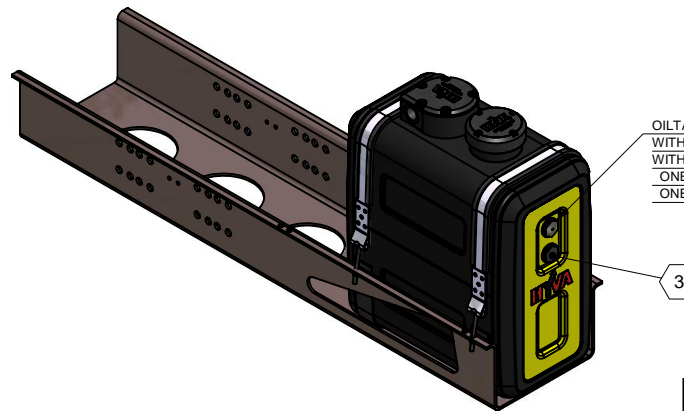
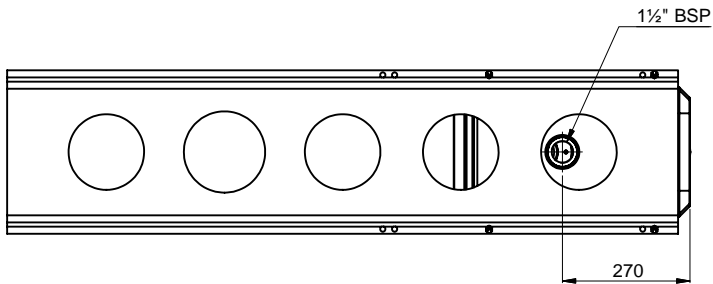


INCLUDED:  
AIR BREATHER AND  
RETURN FILTER 150LPM



INCLUDED:  
AIR BREATHER  
RETURN FILTER WITH VALVE MOUNTING PLATE  
HT VALVE-TNK-1220



OILTANK:  
WITH 2 TRANSPARANT SPY EYES: 14016500  
WITH 1 BLACK SPY EYE AND  
ONE TRANSPARANT SPY EYE TOP POSITION: 14016501  
ONE TRANSPARANT SPY EYE BOTTOM POSITION: 14016502

ITEM	QTY	DESCRIPTION	DIMENSIONS	MATERIAL	PART NO.
13	3	BOLT	M8 L=35	DIN 912 Q8.8 ZP	
12	3	LOCK WASHER	M8	NORD-LOCK	15024080
11	1	HT VALVE-TNK-1220	SEE D091429		
10	1	RETURN FILTER WITH VALVE MOUNTING PLATE	SEE E069066		14895919
9	1	RETURN FILTER PIPE 250	SEE 2315127		14780319
8	1	RETURN FILTER 150LPM-1"	SEE E076190		14896910
7	2	STRAP	SEE 4127873		
6	2	RUBBER	SEE 4127872		
5	1	BRACKET CRADLE FC 129-149	SEE W044811		01507538
4	2	RUBBER IN CRADLE	50x4 L=570	RUBBER	
3	1	SPY EYE MOLDING G1"	SEE 4147331	BLACK	08102145
2	1	AIR BREATHER	SEE 2207430		08102140
1	1	OILTANK	SEE E076430		14016500

REV.	DATE	BY	DESCRIPTION
B	19-02-2014	J.T.	TOTAL REVISED



ENGINEER : M. BALDYS	CHECKED : M. BALDYS
DRAFTSMAN : J. TERPSTRA	26-2-2014
DATE : 20-11-2013	PART NO. :
MATERIAL : SIMPLIFIED FOR CUSTOM USE	
DESCRIPTION: OILTANK CM-066L/047L-039L-MF OVERVIEW	
PROJECTION	UNITS: mm
STATUS Released	NUMBER DRD REV. D094031 B

**COPYRIGHT**  
This print and the information shown hereon is the property of HYVA. It may not be delivered to others nor reproduced for general circulation without the written consent of the HYVA engineering department.